

DS-2CE12HFT-E 5 MP ColorVu PoC Fixed Bullet Camera



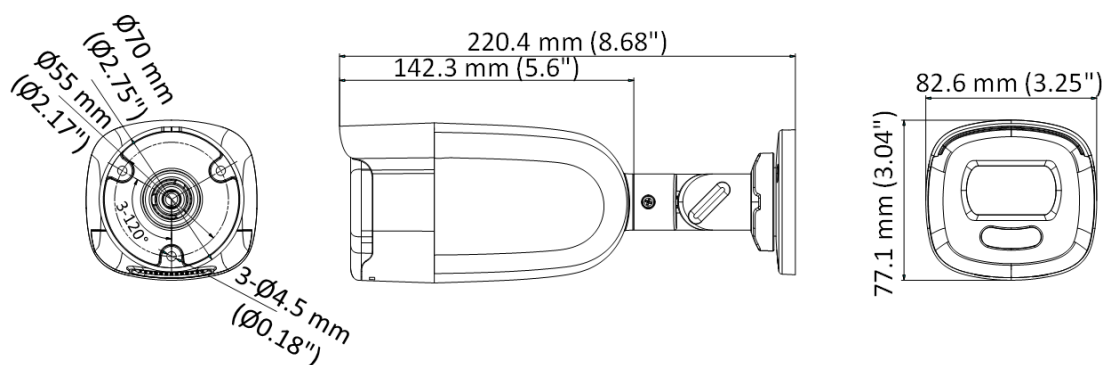
- High quality imaging with 5 MP, 2560 × 1944 resolution
- 24/7 color imaging
- Clear imaging against strong back light due to 130 dB true WDR technology
- 3D DNR technology delivers clean and sharp images
- 2.8 mm, 3.6 mm fixed focal lens
- Smart Light, up to 40 m white light distance
- Water and dust resistant (IP67)



▪ Specification

| Specification | |
|--------------------------|--|
| Image Sensor | 5 MP CMOS |
| Signal System | PAL/NTSC |
| Resolution | 2560 (H) × 1944 (V) |
| Frame Rate | 5 MP @ 20 fps, 4 MP @ 30 fps, 4 MP @ 25 fps, 1080p @ 30 fps, 1080p @ 25 fps |
| Min. Illumination | 0.0005 Lux @ (F1.0, AGC ON), 0 Lux with white light |
| Shutter Time | PAL: 1/25 s to 1/50,000 s; NTSC: 1/30 s to 1/50,000 s |
| Lens | 2.8 mm, 3.6 mm fixed focal lens |
| Field of View | 2.8 mm, horizontal FOV: 99.7°, vertical FOV: 72°, diagonal FOV: 139.8° 3.6 mm, horizontal FOV: 80.1°, vertical FOV: 58.6°, diagonal FOV: 106.2° |
| Lens Mount | M16 |
| Light Alarm | Solid Light Alarm (White Light) |
| WDR (Wide Dynamic Range) | ≥130 dB |
| Angle Adjustment | Pan: 0° to 360°, Tilt: 0° to 90°, Rotation: 0° to 360° |
| Menu | |
| White Light | Auto/Off |
| Image Mode | STD/HIGH-SAT |
| AGC | Yes |
| Day/Night Mode | Color |
| White Balance | Auto/Manual |
| AE (Auto Exposure) Mode | WDR, BLC, HLC, Global, HLS |
| Noise Reduction | 3D DNR/2D DNR |
| Language | English |
| Function | Brightness, Mirror, Sharpness, Anti-Banding, Smart Light |
| Interface | |
| Video Output | 1 HD analog output |
| General | |
| Operating Conditions | -40°C to 60°C (-40°F to 140°F), Humidity: 90% or less (non-condensing) |
| Power Supply | 12 VDC±25%/PoC.at <i>*You are recommended to use one power adapter for one camera, and use 2-pin power supply for long-distance power supply.</i> |
| Consumption | Max. 5.4 W |
| Protection Level | IP67 |
| Material | Metal |
| White Light Range | Up to 40 m |
| Communication | HIKVISION-C |
| Dimension | 82.6 mm × 77.1 mm × 220.4 mm (3.25" × 3.04" × 8.68") |
| Weight | Approx. 600 g (1.32 lb.) |

▪ Dimension

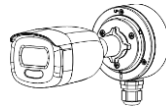


▪ Accessory

▪ Optional

DS-1280ZJ-XS

Junction box



▪ Available Model

DS-2CE12HFT-E

Distributed by



HIKVISION®

Headquarters

No.555 Qianmo Road, Binjiang District,
Hangzhou 310051, China
T +86-571-8807-5998
overseasbusiness@hikvision.com

Hikvision USA
T +1-909-895-0400
sales.usa@hikvision.com

Hikvision Australia
T +61-2-8599-4233
salesau@hikvision.com

Hikvision India
T +91-22-28469900
sales@pramahikvision.com

Hikvision Canada
T +1-866-200-6690
sales.canada@hikvision.com

Hikvision Thailand
T +662-275-9949
sales.thailand@hikvision.com

Hikvision Europe
T +31-23-5542770
sales.eu@hikvision.com

Hikvision Italy
T +39-0438-6902
info.it@hikvision.com

Hikvision Brazil
T +55 11 3318-0050
Latam.support@hikvision.com

Hikvision Turkey
T +90 (216)521 7070- 7074
sales.tr@hikvision.com

Hikvision Malaysia
T +601-7652-2413
sales.my@hikvision.com

Hikvision UK & Ireland
T +01628-902140
sales.uk@hikvision.com

Hikvision South Africa
Tel: +27 (10) 0351172
sale.africa@hikvision.com

Hikvision France
T +33(0)1-85-330-450
info.fr@hikvision.com

Hikvision Kazakhstan
T +7-727-9730667
nikia.panfilov@hikvision.ru

Hikvision Vietnam
T +84-974270888
sales.vt@hikvision.com

Hikvision UAE
T +971-4-4432090
salesme@hikvision.com

Hikvision Singapore
T +65-6684-4718
sg@hikvision.com

Hikvision Spain
T +34-91-737-16-55
info.es@hikvision.com

Hikvision Tashkent
T +99-87-1238-9438
uzb@hikvision.ru

Hikvision Hong Kong
T +852-2151-1761
info.hk@hikvision.com

Hikvision Russia
T +7-495-669-67-99
saleru@hikvision.com

Hikvision Korea
T +82-(0)31-731-8817
sales.korea@hikvision.com

Hikvision Poland
T +48-22-460-01-50
info.pl@hikvision.com

Hikvision Indonesia
T +62-21-2933759
Sales.Indonesia@hikvision.com

Hikvision Colombia
sales.colombia@hikvision.com